



MARATHON HEATER



AIR HEATERS



Idunduci tatisto que nim iur mo bereped ut volorem nimaio conseni adiorit inumquos alitissiniet alitis entotatur, suntium vitis ellaut eum hicae moditas maximi, si corat que con nisitassitas etur as esed ex etur alibeaquae pelectaspe pos maxime laborpos sum essuntis Luptatus ut quia plaut fugia ditaessum fugiam hiciliquist, unt explabo rescis eum facea dignis dollecto molesen temperferios aut excea atiaissimus sunde que aut utatia coritatur?

STANDARD CONSTRUCTION

1 1/2", 5/8" or 3/4 diameter 304 Stainless Steel Sheath.

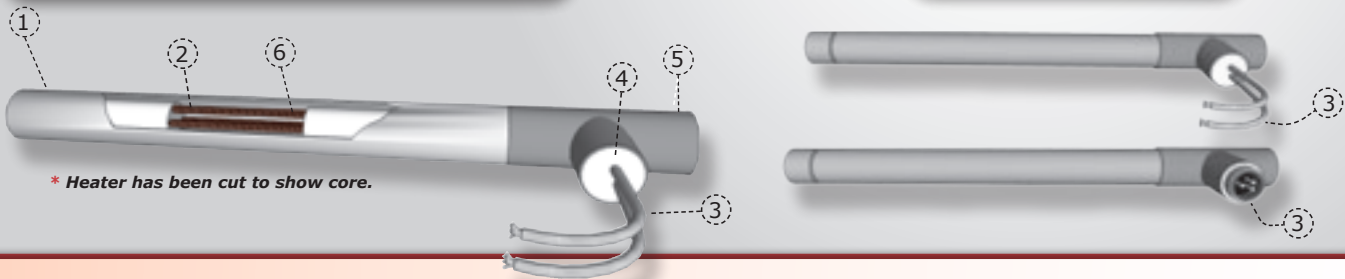
2 Nickel-Chromium Coils.

3 High temperature leads or 3 pin connector.

4 Epoxy Seal

5 Copper Tee

6 120 Volt and 240 Volt



OPTIONS

- Male or Female pipe thread on inlet or outlet.
- Brass or Stainless Steel fittings.
- Flanges
- SJO Cord
- Elbow on Outlet
- Stainless Steel Tee
- Various volts and Watts
- Custom configurations
- 1/2", 5/8" and 3/4" diameters available
- Optional Thermocouple at outlet for temperature control.



SPECIFICATIONS

- Maximum Amps: 10
- Maximum CFM: 10
- Use clean air only.
- Heat air to temperatures as high as 1000° F.

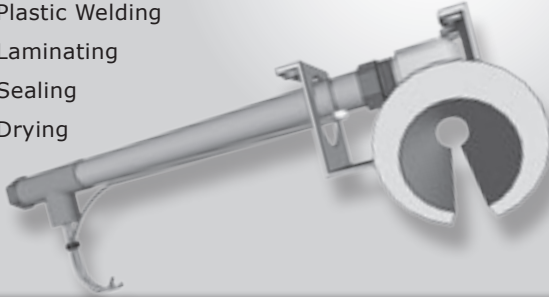


....and many more!

APPLICATIONS

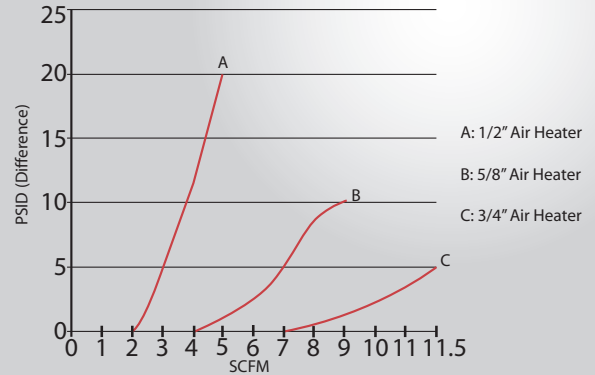
Marathon Heater manufactures and stocks several variations of 1/2" diameter air heaters for:

- Heat Staking
- Shrink Fitting
- Plastic Welding
- Laminating
- Sealing
- Drying



PERFORMANCE

Input / Output Airflow Test



STOCK LIST

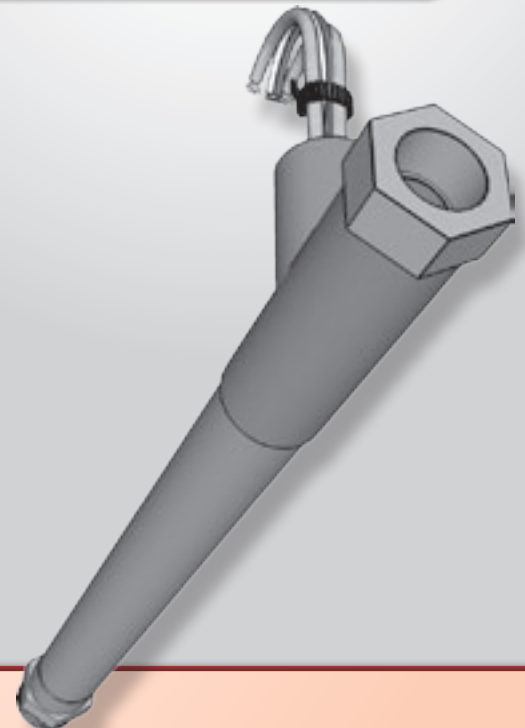
THE FOLLOWING HEATERS ARE IN STOCK FOR IMMEDIATE DELIVERY

Stock #	Volts	Watts	Min. Flow Rate (CFM)	Connection	Diameter	Length	Dimensions
AH50050R	120	400	4	36" Leads	.500		
AH50050T	240	400	4	36" Leads	.500		
AH50050V	120	600	5.5	36" Leads	.500		
AH50050X	240	600	5.5	36" Leads	.500		
AH50050S	120	400	4	3 prong socket	.500		
AH50050U	240	400	4	3 prong socket	.500		
AH50050W	120	600	5.5	3 prong socket	.500		
AH50050Y	240	600	5.5	3 prong socket	.500		

Fittings can be added to any of the above heaters.

- Add the following numbers to the part number when ordering.
- For example: AH50050R-1 for a 120 volt, 400 watt with 1/8" FPT fitting on inlet.

Prefix	Description
-1	1/8" FPT fitting on inlet
-2	3/8" MPT fitting on inlet
-3	1/8" FPT fitting on outlet
-4	3/8" MPT fitting on outlet
-5	1/8" FPT fitting on inlet, 1/8" FPT on outlet
-6	3/8" MPT fitting on inlet, 3/8" MPT on outlet
-7	1/8" FPT fitting on inlet, 3/8" MPT on outlet
-8	3/8" MPT fitting on inlet, 1/8" FPT on outlet.



OTHER PRODUCTS

CARTRIDGE



TUBULAR



IMMERSION



MICA BAND



CERAMIC BAND



TUBULAR BAND



REFRACTORY STRIP



MICA STRIP



CERAMIC STRIP



SILICONE RUBBER



REFRACTORY DISC



AIR



COIL



THERMOCOUPLE



Your Authorized Marathon Heater Representative is:

Marathon Heater 808 Hackberry Ln., Del Rio, TX, 78840. **Phone:** (830)-775-1417 **FAX:** (830)-775-4379

www.marathonheater.com sales@marathonheater.com

Download our latest brochures at <http://www.marathonheater.com>

BR-AIR-12 Revised 5 April 2012 © Marathon Heater Inc. All Rights Reserved.



Calculator

Website